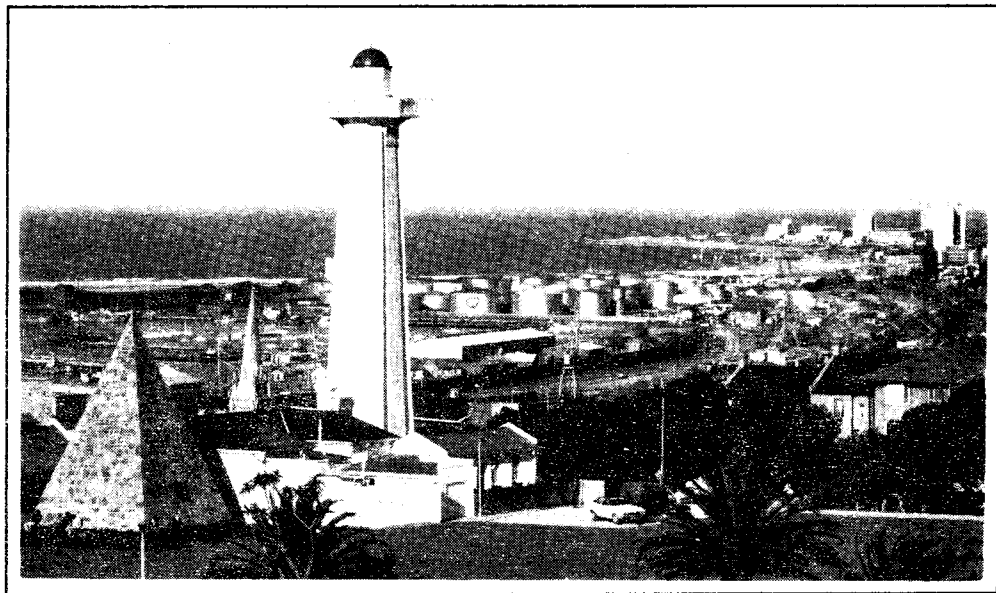


Q S X
P E



THIS NEWSLETTER IS PUBLISHED BY THE
PORT ELIZABETH AMATEUR RADIO SOCIETY

P.O. BOX 10402
LINTON GRANGE
6015

May 1997

ANNUAL GENERAL MEETING

MOTION

As notified in last month's QSX-PE, the Annual General Meeting of the Port Elizabeth Amateur Radio Society will be held on Saturday, 17 May 1997, commencing at 16:00 (4pm) in the Scout Hall, van Plettenberg Street, Kabega.

The following motion has been submitted by Chris White

ZS4ABS, seconded by Fred Strutt ZS2JS:

"That PEARS reconsider country membership annual dues".

MOTIVATION: It is felt that R50,00 is a little too much to pay as a country member."

Invitation - Uitnodiging

Members, their families and interested non-members are cordially invited to attend the Annual General Meeting of the Society at 16:00 on Saturday, 17 May and the bring-and-braai immediately following at the Scout Hall, van Plettenberg Street, Kabega. A flea market will also be held during the latter function.

Lede, hul gesinne en belangstellende nie-lede word hartlik uitgenooi na die Algemene Jaarvergadering van die Vereniging om 16:00 op Saterdag 17 Mei en die bring-en-braai wat onmiddelik daarop volg by die Verkennerssaal, van Plettenbergstraat, Kabega. 'n Vlooiemark sal ook tydens lg. geselligheid plaasvind..

The Society will provide salads, bread rolls and ice cream.

If you require anything else, kindly

bring along your own supplies!

Please also provide your own crockery, cutlery, glasses etc. See you there!

Technical Get-together

The monthly informal get-together of the technical interest group will be held on Wednesday evening, 21 May in the Disaster Management Centre (the 'clubhouse'). The Bacar project will receive further treatment, but there will be an opportunity for anyone to raise any other technical matters of their choice.

REMEMBER THE FLEA MARKET THAT WILL BE HELD DURING THE BRING AND BRAAI IMMEDIATELY AFTER THE A.G.M.!!



Annual Report

from the Chair

*T*his AGM sees the start of our fledgling society's first full year, fortunately enjoying the support of many not-so-fledgling members. These are the backbone of any organization and are there to assist and guide the newcomers.

Financially we are well and truly in the black, thanks to our loyal and generous members.

Socially, more can be achieved, but here it is up to individuals to air their views and make suggestions. We certainly could do with more support in this department.

On the technical scene, thanks to Al ZS2U and Viv ZS2VM, the classes enjoy a very high pass rate and a fair amount of interest is shown in the technical evenings. Right now, a rather ambitious project is in the pipeline.

Our repeater and digipeater network is the envy of many an amateur from other provinces, thanks here being due to Chris ZS2AAW and Trevor ZS2AE. Also to the small band of labourers who turn up when required.

To our committee, a very big thank you for, as always, coming up trumps. A most capable band of gentlemen. However, perhaps it is again time to include a lady.

Our monthly newsletter, QSX-PE, is surely also the envy of many. The subtle humour of our editor is something to be believed. The publication is both newsy and humorous without losing its ability to hold one's interest. Our heartfelt thanks to Garth ZS2HB for the tremendous amount of time he

to page 4 ◊

[FROM PAGE 3]

spends at the keyboard generating this most pleasant and interesting publication.

I am guilty of identifying but a few by name. Believe me, I am aware of many more who deserve mention, but prefer to cover my back by rather saying: "A sincere thank you to each and everyone who has contributed in any way whatsoever. Every little bit helps, and many little bits make a lot.

As I shall not be available for re-election, this is an appropriate time to wish the new chairman a most successful term of office and the assurance of my total support.

73,

Dick ZS2RS

LONGEST PEARS MEMBER

Remember how Phil ZS2PP claimed to be the longest standing member of our Organisation because he has a several-centimetre advantage over the rest of us when he's on his pins?

Well, he didn't qualify for the title because that's not what we were looking for, but he *could* take the title for the longest-sitting chairman in Port Alfred.

We found the adjacent picture of him in his favourite pose. Q



HAMNET NEWS

General Meeting

The next Hamnet general meeting will take place on Wednesday, 4th June at 1930 at the Municipal Disaster Management Centre in Mill Park. There will be a talk on module 4, map reading and orientation, and discussion on this or other modules.

Escape from Bangui - via Bez Valley.

This article by Roger King ZS6QL appeared in the February, 1997 issue of Radio-ZS and is recommended reading for all hams. It is incredible that one gets hams who consider it more important for them to get a new country than the lives of other people.

I think it was the early sixties when the Belgian Congo got its independence and violence, murder and rape erupted. A ham station in the Congo was using a frequency in the twenty metre band to organise flights from the Congo for refugees, etc. and a local ham, prone to operate without first checking if the frequency was clear, started operating on

this frequency.

When a division 6 ham told him to move to another frequency as this one was being used for emergency operations, and did not ask nicely, he persisted in operating on this frequency.

He was in the wrong, but true, he could have been asked nicely to QSY.

However, is this more important than other peoples lives?

How can one respect such persons? We can do without this type of behaviour in ham radio.

Maybe, after reading this article, some of the local hams will see fit to attend Hamnet meetings to learn more about various aspects of emergency operations. You are under no obligation to join Hamnet.

73

Al Akers ZS2U

**Provincial Director,
Hamnet East Cape.**



Instant Printing

FOR ALL YOUR
PRINTING REQUIREMENTS

9 St. Patricks Road, Port Elizabeth 6001

Telephone: (041) 55-2614

Try us for your QSL cards!



SARL AGM motions

In the absence of official reports on the important proceedings at the SARL AGM that took place way back on 22 March, we are indebted to the Highway Club, through its Highway Hotline newsletter, for the following information, which will probably interest some of our readers:

"Motions 1, 2 and 3 were carried unanimously, Motion 4 was withdrawn by Cape Town with the proviso that a sub-committee be established to follow up with the Regulator. Motion 5 was amended by deleting clause 24.2 and 24.3 and then carried unanimously. This means that the 70% membership of a club having to be League members in order to affiliate to the League had been dropped, but the League reserves the right to decide on affiliation applications."

Ah, but perhaps you don't know what the motions were all about since their late receipt killed the usual enthusiasm with which they were discussed in previous years. Motion 1 called for a special vote of thanks to Chris Turner for his personal involvement in an interference investigation in Cape Town; Motion 2 asked Council to negotiate with the Department of Communications regarding Regulation G4 to protect the interests of innocent hams in the event of an interference complaint; Motion 3 sought tighter control over the manufacture and use of electronic equipment that can cause interference; Motion 4 sought to have regulations regarding antenna structures embodied in the Radio Regulations in the hope that local authorities throughout the country would be uniformly guided by them.

Motion 5 sought to drop (I gather) the 70% League membership requirement for clubs wishing to affiliate. The motion

was poorly worded and I do not know what Rule 24 stipulated previously because the copy of the SARL Constitution that was sent to me ended at Rule 23.

To continue from Highway Hotline:

"Failure to mail the promised Callbook along with the February issue of Radio ZS was of concern to members and a definite embarrassment to the President, who went to lengths to explain that he had been let down one way and another and in fact that it hadn't been sent to the printers yet. It was debated whether it should be produced in book form or whether it should be left on disk and for a club member in possession of such a disk to be charged with the responsibility of passing any relevant information to members when required. It was pointed out that the World International Radio Amateur Callbook published by Bob Hughes would no longer be issued in book form but all the particulars would be recorded on a CD disk and available for sale. There are pros and cons to be considered so the President gave his assurance that the matter would take priority."

Thank you, Highway, for shedding some light on the happenings at the AGM. We were often told that, under the new SARL Constitution, members can now for the first time have a direct say in the running of the League. They didn't tell us that you also have to be *there* personally to find out what went on! Ω

A Bit of Nostalgia

Dudley Forsyth ZS2AW sent us a bundle of items from his 'Vintage bottom drawer' that got my nostalgia going. He mentions that he still has one of those carbon filament lamps that many hams used as dummy loads in the days before SWR was invented. His has a BC base and was made by Philips in Holland about 1904. It still burns with a dull red glow but he has been told that it has no commercial value.

Among other items on his 'Remember When' list are the following:

- The thrill of using a VFO for the first time
- Crystals that came in those rugged FT243 holders [and painstaking grinding them onto frequency yourself HII-Ed.]
- When you said 'kilocycle', everybody knew what you meant.
- Fidgeting with the BFO to unscramble those 'Donald Duck' noises.
- Arguments whether sideband would compete with AM.
- When postage on a QSL was two cents.
- When a good DPDT relay cost a rand.

Dudley says: "As an old timer, I look back and, like the comedian, simply say 'Thanks for the memory'."

And thank you, Dudley. Your reference to a DPDT relay reminds me of the time when *any* multi-pole relay was beyond the pocket of most of us. Of course, the chap with an SX-28 receiver had no such financial constraints so he *naturally* had relays wherever they were needed.

For us lesser mortals, however, things were different. The rigs of the time - all homebrew - required individual switching of various stages plus the receiver, so the switching went something like: *RX to standby; Antenna to transmitter; VFO*

on; PA on; Modulator on. Then, after your 'over', it went in reverse order *Modulator off; PA off; VFO off; Antenna to RX; RX to receive.* And *don't* switch the RX to receive before the TX is switched *off*, especially if the XYL is asleep.

It wasn't easy when your pal with the SX-28 passed it back to you suddenly for a quick yes-or-no answer! I think that's when microphone stands were invented, leaving both hands free to flip all the switches.

Those were also the days when homebrew power supplies were commonly mounted separate from the transmitter itself and the high DC voltage - perhaps a kilovolt or so - was flipped on in effect by grounding the power supply chassis to the main TX chassis through a switch.

OM Stan Geer ZS2KV used to have his power supply tucked away on the floor under his desk (cosy in winter!). He threw the switch on and off with the toe cap of his shoe, thus leaving one hand to adjust the RX and the other to clasp the microphone.

One day he unfortunately forgot that he had no shoes on... Ω

FOR SALE ★ WANTED ★ SWOP

WANTED

★ Scrap FT101 - Viv Moore ZS2VM, ☎ 30-4433.

Fiddlers' Corner

a Receive Frequency Converter

VIV MOORE, ZS2VM

Frequency converters are basic building blocks. You'll find them wherever there's a need to shift an RF signal from one frequency to another.

The conversion, or heterodyning, is the process of mixing an incoming signal with that of a local oscillator (LO), as shown in Figure 1. Two signals result from such mixing: the sum and the difference of the original two frequencies. For example, a 5 MHz input and a 2 MHz LO yield outputs of 7 MHz (5+2) as well as 3 MHz (5-2).

Building a frequency converter is easy using the NE602. The NE602 contains an LO and double-balanced mixer in an 8-pin DIP, as shown in the block diagram of Figure 2. Being a double-balanced device, both the input and the LO signals are absent at the output.

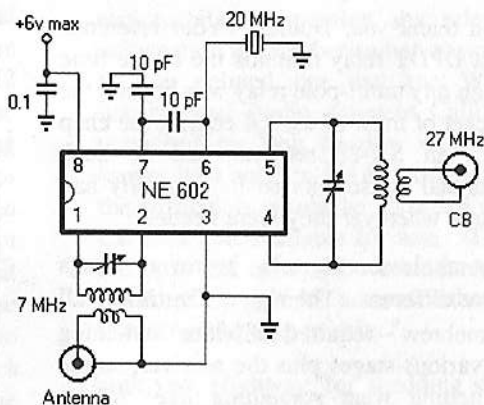
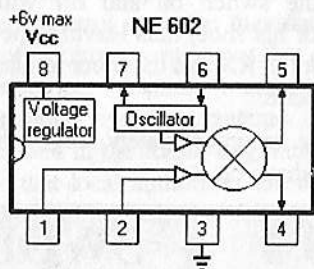
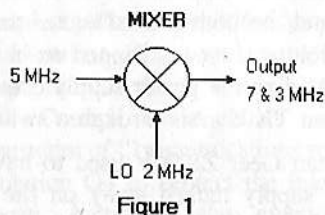
The IC was originally designed for VHF

receiver front ends, with the LO working up to 200 MHz, and the mixer to 500 MHz. It has many uses at lower frequencies as well, such as converting a single-band receiver to multi-band. One that comes to mind is listening to 40 metres with an SSB citizen band rig (Figure 3).

One can apply the technique to transmitters as well, but that goes a little beyond this article.

The NE 602 and other components are obtainable from Des ZR2DH, of MTS Electronic World - ☎ 54-2911

Q



RECEIVE FREQUENCY CONVERTER

MINUTES OF THE SPECIAL GENERAL MEETING OF THE PORT ELIZABETH AMATEUR RADIO SOCIETY HELD AT THE SCOUT HALL, VAN PLETTENBERG STREET, KABEGA ON SATURDAY 21 SEPTEMBER 1996

PRESENT & APOLOGIES: As per attendance register. Also apologies from the floor: Bryan Haefele ZR2BG, Gary Laaks ZR2ABU, Keith Olivier ZR2AAX and Simone Pukall-Olivier ZS2YL.

WELCOME: Chairman Dick Schönborn ZS2RS welcomed all those attending, extending a special welcome to visitors from surrounding towns: from Bathurst, John Hugo ZS2J; from Aston Bay, Pieter Liebenberg ZS2PL; from Grahamstown, Ewan Mathieson ZS2EN; and from Port Alfred, Phil Hopper ZS2PP.

MINUTES OF PREVIOUS MEETING

The minutes of the meeting held on 23 September 1995 and circulated in the August 1996 issue of QSX-PE were taken as read. Adoption proposed by Viv Moore ZS2VM and seconded by Beavan Gwilt ZS2RL.

MATTERS ARISING: Nil.

NEW MATTERS

The Chairman, Dick Schönborn ZS2RS referred those present to the Chairman's Report published in the September QSX-PE. The report summarized the meetings, social and sports events the Society participated in and/or organized during 1996 and matters impacting directly and indirectly on Amateur Radio in South Africa.

The adoption of the Chairman's Report was proposed by Beavan Gwilt ZS2RL and seconded by Garth Laaks ZS2HB.

FINANCE:

Treasurer Clive Fife ZS2RT tabled the audited financial statements. An amount of R650 received still remains unexplained. Clive was accorded a unanimous vote of thanks by the meeting for the diligent handling of the finances and Gus ZS2MC was similarly thanked for his auditing services.

The adoption of the Finance Report was proposed by Trevor Scarr ZS2AE and seconded by Vic Olivier ZS2SZ.

RATIFICATION OF NEW CONSTITUTION:

The new Constitution was then opened for discussion. Apart from the following minor aspects, the Constitution as circulated previously to members was adopted:

- Delete rules 2.4; 3.1.3 and 7.8 (rules for transition from Branch to Society)
- Subscriptions, 3.1: Carried overwhelmingly that subs be R50.00 from 1 April 1997 to 31 March 1998.
- Rule 5.1, the word 'operate' shall replace the word 'open' in the phrase 'The Treasurer

shall open an account...'.
SOCIETY AWARDS

- Rule 5.3 - was ratified.
- Rule 6.1, the phrase 'prior to each' be introduced into the phrase 'The Society shall, *prior to each annual general meeting...*'.
- Rule 7.2.1 that the word 'may' be used after the word 'members' as 'The members *may ...*'.

The subscription question sparked lively debate: Beavan reminded members that present subs barely covered expenditure; Trevor felt that subs must not be cut too close to the bone as there was no guarantee that present membership will hold after April; Gerhard said that QSX was not a priority, while Barry urged the Society not to factor in the interest gained on deposits.

Subscriptions for 6 months to 31 March were finally fixed at R25 for full membership and R15 for students and family members.

SOCIETY AWARDS

The following trophies were awarded:

Ham Spirit Trophy - Vic Olivier, ZS2SZ with particular emphasis placed on his dedication to the morse code classes on the air.

DX Trophy - Lambert le Doux ZS2LL of Cradock (Proposed by AI ZS2U)

Constructors Trophy - Fanie Swiegers ZS2EM.

The following Certificates of Merit were awarded:

Garth Laaks ZS2HB - for excellence in **production of QSX**.

Jim van Loggerenberg ZS2LR for unstinting help in **BBS forwarding**.

Chris Scarr ZS2AAW for devotion to **repeater network efficiency**.

However, at this time no actual certificates were presented. Existing certificates were SARL based and it would be inappropriate to issue them. Future certificates would bear the new Society logo, said the Chairman.

LOGO PRESENTATION

A clipboard presentation was conducted and lively participation took place. The internationally used, SARL style badge format is to remain as basic but incorporate a local theme. The selected design incorporated the word PEARS in a ribbon to replace the SARL and escutcheon, and the Donkin lighthouse/pyramid motif with the words Amateur Radio would replace the springbok. Minor refinements to this basic design would be presented for final approval at the next general meeting.

ELECTION OF NEW COMMITTEE

Barry Jackson ZS2H gave notice that he intended submitting a proposal in writing that a Chairman be elected in the 11th month and the remainder of the committee at the AGM. He would also draw attention to various other possible procedures for electing a Chairman and office bearers.

The current Chairman, Dick Schönborn, then stood down and Garth Laaks presided during the election of a new Chairman. Dick Schönborn ZS2RS was proposed by Louis and seconded by Viv. The proposal was carried unanimously.

Dick then took over as Chairman and a committee was elected as follows:

Chris Scarr ZS2AAW, proposed by Marge Weller, seconded by Gerhard Baum.

Beavan Gwilt ZS2RS proposed by Dick Schönborn, seconded by Gerhard.

Clive Fife ZS2RT proposed by Vic Olivier, seconded by Viv Moore.

Trevor Scarr ZS2AE proposed by Vic Olivier and seconded by Beavan Gwilt.

Al Akers ZS2U proposed by Peter Flynn, seconded by Gus Winter.

Viv Moore ZS2VM proposed by Dick Schönborn, seconded by Garth Laaks.

GENERAL

A word from Vic Olivier that, for Amateur Radio as a hobby to survive, it is most important for the younger generation to become involved. New committee to take note.

Raphey Schauder ZS2SP offered accolades, fully supported by the meeting, for the work done by the outgoing committee.

The incoming Chairman, Dick Schönborn, thanked Julie ZR2EY and her other lady helpers for the salads and Trevor and his helpers for organizing the braai facilities.

NEXT AGM

A proposal that the next meeting be held in April or May 1997 was duly endorsed by the meeting.

The meeting closed at 17:15. Ω

Digipeater to move

As a result of the sale of the property on which our digipeater/rose switch near Grahamstown has been operating, it will have to be moved soon, and probably back to the same site as the voice repeater. Hopefully a cure will be found for the interference problems that were experienced previously when the two units were on the same site.

The move will again enable packeteers from further afield to access the PE BBS.

Postal hike

As a result of the recent record hike in postage rates, it now costs R1 a month per member (plus courtesy copies to other clubs) just to mail QSX. Actual printing of the newsletter costs about R1.70 per

addressee, and there are other costs involved such as (expensive!) ink cartridges etc. even before 'copy' gets to the printers. All in all, therefore, QSX costs between R2.70 and R3 per addressee per issue, or near to R36 per annum.

QSX and, in most cases, the use of repeaters provided and maintained by the Society are about the only tangible benefits derived by country members, so it is probably undesirable to issue QSX less frequently in order to cut costs. In fact, we considered this a couple of years ago and came to the same conclusion then. In the mean time, club newsletters have become an even more important lifeline for hams who do not receive Radio ZS or the SARL newsletters.

Just thought you'd like to know. Ω

PEARStalk

QRP Award #1 issued

The first of PEARS' new set of certificates was issued to André Botes ZS2ACP recently. He received Certificate of Achievement (QRP) N^o 1, having worked the requisite minimum of 20 different Maidenhead Locator grid squares using no more than 5 watts output. In fact, he has worked many more than 20 squares - all over the world - and has done it all with his very low power homebrew equipment. Congrats, André.

Lionel to the rescue

Our thanks to Lionel ZS2DD for stepping into the breach at short notice to collate, staple, fold, label and post these past two issues of QSX following Trevor's hospitalization.

Talk does not materialise

For the second month running, the gent who we expected to give us a talk on adhesives did not get things together. By gum, that's no way to cement a friendship or forge new bonds, is it? I guess we should all join in telling him to stick his talk.

ZS Callsign list

We still seem to be no nearer to receiving the callbook that the SARL promised to despatch to members together with the February issue of Radio ZS. From a packet message we learn that the volunteer who was supposed to prepare it was unable to meet the deadline and it has not been possible to find another volunteer to take over the task. That seems to be where the matter rests.

While it may indeed be the sad truth, it behoves Council to keep members posted on important local matters such as this. Instead, we hear more about the IARU and the ARRL than we do about our own League's activities or lack thereof.

The International Callbook issued in the USA is to be discontinued in printed form but issued in future on CD only. We hear that Council is giving this idea consideration in the context of our own callbook. Hopefully sense will prevail and they will discard any idea of dropping the printed version of the SA callbook. They just need to start working on it a few years earlier.

Wefax under the weather

The wefax signal strength was found to be rather low recently and, upon investigation, Colin ZS2AO determined that there was a fault on the coax feedline or the antenna itself, there being a resistance reading of some 60+ Ω at the PL259. For safety's sake he switched off the transmitter and planned to attend to the problem upon his return from a week's holiday. Hopefully all is well again as this issue reaches you.

Replacing the coax is a pretty perilous job, the high, inclined roof of the Museum complex having to be reached and negotiated with great care. A sincere vote of thanks goes to Colin for his tenacity.

Izak ZS2ZG probably thinks Murphy had a hand in this, because things went awry just as he got his wefax board and program up and running. What a disappointment!

QRL?

In his Hamnet article this month, Al refers to an operator who refused to move from a frequency that was required for emergency traffic - because he was not asked in a decent manner to vacate it.

While there is no excuse whatsoever for stupidity of this nature, it does point to the need for courtesy to be displayed if 'your' frequency is found to be occupied when you want to use it. We have said it before: Every amateur, whether of the common-or-garden variety, an SARL or club bulletin reader or a Hamnet monitor station operator, must make it a habit to *ask in a decent manner* if he may have the frequency.

Officials, especially, must play a major role in propagating the principle of courtesy - by example, not merely by word of mouth - so that it again becomes the norm. It is good to see that Hamnet will be stressing this at its forthcoming meeting, but I believe that pointers on good operating behaviour should also be given regularly in on-the-air bulletins of Hamnet and the SARL.

EC Hams 'a fine bunch of guys'

Visitors to the Eastern Cape have been heard on various occasions singing the praises of the 'extremely friendly and grand' bunch of hams in the Eastern Cape and Border. The statements were made on HF in QSOs between non-ZS2 hams, so they were not simply 'battering us up' while using our linked repeater system.

This goes down particularly well following the misguided report on an

Intecnet earlier this year that suggested that we were not very nice people down this way.

RAE on 15 May

We wish all candidates for the RAE the best of luck for 15 May. We hope to see them at the AGM on 17 May beaming from ear to ear and hearing soon after of their successes.

PLEASE! Let a committee member, especially Al ZS2U, know as soon as you hear your results. Quite often your lecturers are the last to hear the results of their labours and it behoves all candidates to show them the little courtesyt of informing them of their results.

Similarly, when you receive your callsign, *we want to know!* Thank you in anticipation.

Subscriptions

Don't be like me - there I was, every month exhorting readers to pay their R25 for the past half-year, until it dawned on me that I hadn't yet paid up myself. Redfaced, I coughed up just in time to avoid being deleted from the QSX distribution list.

You must be a fully paid-up member in order to nominate or vote or say anything intelligent at the AGM this month, so come on, be nice and, while it is not a crime to read QSX without having paid your subs, you will feel a lot better about it. You'll be able to look yourself straight in the eye (if you can see past the bridge of your nose, of course). So get in the queue behind me before the AGM starts, unless you see Clive before that date. **Q**

Congratulations...

on your birthdays:

May

- 19 Johannes Pieterse ZR2JLP
- 21 Ron Fitzmaurice
- 22 Bill Hodges ZS2ABZ
- 24 Vicky XYL of Allan Ansell ZS2AJ
Margaret Raven XYL of ZR2ABH
- 26 Daleen XYL of Ralph Hall ZS2IV
- 31 Dennis Flynn ZR2DB
Shirley XYL of Stoffel Carr ZS2C

June

- 1 Geoff Bowes-Taylor ZS1VS
- 3 Adriaan Snyman
- 4 Claire XYL of Jack Smailes ZS2SM
Des XYL of Alan Paulsen
- 5 June Jones ZS2JJ
- 6 Jonathan Parish
- 8 Julia XYL OF William Atteridge ZS2V
- 9 Gus Winter ZS2MC
Sakkie Viljoen ZS2ID
- 10 Ken Victor ZS2OC
Magda XYL of Van van der Merwe
ZS2JC
- 11 Maureen XYL of Neil Fulton ZS2MG
Haydn Pearce
- 13 Jimmy Hoole ZS2ABM

13 Bernard Tyler ZS4CW

20 Alan Paulsen

on your anniversaries:

May

29 Van & Magda van der Merwe ZS2JC

June

4 Jim & Marge van Loggerenberg ZS2LR

8 Neil & Heather Holmes ZS2AI

14 Jimmy & Heather Hoole ZS2ABM

15 Kay & Rachid Asmal

16 Viv & Peggy Moore ZS2VM

19 Ben & Elsa Schilder ZR2ABE

Pick list: We're glad to report that Trevor Scarr ZS2AE is doing well after a triple heart bypass, for which he had quite a long wait after the tests showed the need for surgery. We hope to see you back climbing mountains, towers etc. in the best of health very soon, Trevor.

Back home: Ken & Judy Tremeer ZS2BWB from 3DA-land after a five week absence from the Bay. I bet they missed us.

UFO? No, UFD

The Bacar Project group's attention was drawn to an item in the Press which told of a gent overseas who attached several weather type balloons to a deckchair with the intention of reclining in comfort a hundred feet or so above ground. He took a pellet gun along with which he planned to shoot one balloon stukkend at a time as may be necessary when he wished to descend.

Being smart, he tethered the whole contraption to the ground while he tested it out for stability. Once satisfied, he cut the tether so that nature could take its course and let the balloons take him up.

Unfortunately, he didn't do the kind of research that our Johannes ZR2JLP did on weather balloons. Each balloon had quite a payload rating on its own so, when he cut the tether, he rocketed up at a fair lick to an altitude of several

thousand feet, gripping the deck chair with whitening knuckles.

Now the ugly thought dawned on him: shooting a balloon could upset the balance, and he could be thrown out of the chair - he didn't have a seatbelt!. So he hung about up there while he pondered the situation.

Meanwhile, the pilot of a light aircraft approaching the airport came across this strange sight and radioed to the control tower that he had just seen a gentleman floating on a deckchair at some unlikely altitude, armed with a gun and presumably trying to shoot down passing aeroplanes.

It is not recorded what the air traffic controller suggested to the pilot. However, once the authorities were convinced, they managed to get the gent down to earth and, when asked what the heck he did that for, he replied: "Well, a chap can't just sit around doing nothing all day." ☺

Your Society's Committee

Chairman; Special Events	Dick Schönborn ZS2RS	38-5070
Vice Chairman, Repeaters, Packet	Chris Scarr ZS2AAW	38-1344
Secretary	Beavan Gwilt ZS2RL	30-6968
Treasurer; Assets Control	Clive Fife ZS2RT	32-3203
assisting with Assets Control	Lynne Crothall ZS2MM	35-4671
Social, Awards	Viv Moore ZS2VM	30-4433
assisting with refreshments at meetings	Bill Hodges ZS2ABZ	51-2580
QSX Manager	Trevor Scarr ZS2AE	32-1746
assisting as QSX Editor/layout	Garth Laaks ZS2HB	38-1101
Technical Classes	Al Akers ZS2U	30-2983

PEARS' VHF & Other Services

REPEATERS

Town VHF	145,050/650	Kareedouw	† 145,125/725
Town UHF	431,050/438,650	Knysna	*145,050/650
Cockscomb	145,000/600	Lady's Slipper	*145,100/700
Cradock	145,050/650	Uitenhage	145,075/675
Grahamstown	*145,150/750	Theescombe	† 145,175/775

* The East London 145,125/725 MHz repeater and the George repeater on 145,100/700 are linked to PE's long-range 2m repeater system.

† These are privately owned repeaters and are not included in the PEARS linked repeater system.

OTHER SERVICES

Packet Bulletin Board (ZSØNTP)	144,625
Packet Rose Switch (ZSØGHT-3,046101/046102)	144,675
2m Beacon (ZS2VHF CW ID)	144,910
6m Beacon (ZS2SIX CW ID)	50,005
6m Link with Lady's Slipper 2m Repeater	51,400
Wefax Relay (Meteosat)	145,350

Sunday Bulletins

PEARS bulletins are transmitted on Sundays immediately after the SARL English transmission, i.e. at about 08:45, on 7098 kHz as well as the 2 metre linked network that provides coverage from East London to George and environs via repeaters on 145,750 MHz (Grahamstown), 145,700 (PE Slipper), 145,650 (Knysna), George's 145,700 and East London's 145,725. PEARS' 7098 or 3640 kHz transceive facilities are also remotely linked as needed. In addition, the SARL's 40m transmissions on 7082 or 7066 kHz can be remotely patched into the 2m network.

Date	Prepare and Read on 145,750	DIARY DATES
11 May	ZS2RT	MAY
18	Chairman	11 10-Metre QSO Party
25	To	15 RAE exam
1 Jun	be	17 PEARS AGM/flea mkt
8	announced	21 Technical evening
15	later	JUNE
		22 QRP contest

★ We Like Being Your Society! ★